

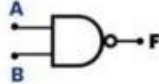

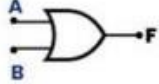

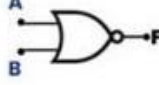

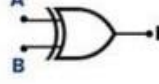





<p>AND</p> 	<table border="1" data-bbox="534 257 622 436"> <thead> <tr><th>A</th><th>B</th><th>F</th></tr> </thead> <tbody> <tr><td>0</td><td>0</td><td>0</td></tr> <tr><td>0</td><td>1</td><td>0</td></tr> <tr><td>1</td><td>0</td><td>0</td></tr> <tr><td>1</td><td>1</td><td>1</td></tr> </tbody> </table>	A	B	F	0	0	0	0	1	0	1	0	0	1	1	1	<p>74LS08</p> 	<p>$F=AB$</p>
A	B	F																
0	0	0																
0	1	0																
1	0	0																
1	1	1																
<p>NAND</p> 	<table border="1" data-bbox="534 519 622 698"> <thead> <tr><th>A</th><th>B</th><th>F</th></tr> </thead> <tbody> <tr><td>0</td><td>0</td><td>1</td></tr> <tr><td>0</td><td>1</td><td>1</td></tr> <tr><td>1</td><td>0</td><td>1</td></tr> <tr><td>1</td><td>1</td><td>0</td></tr> </tbody> </table>	A	B	F	0	0	1	0	1	1	1	0	1	1	1	0	<p>74LS00</p> 	<p>$F=\overline{AB}$ $=\overline{A+B}$</p>
A	B	F																
0	0	1																
0	1	1																
1	0	1																
1	1	0																
<p>OR</p> 	<table border="1" data-bbox="534 781 622 960"> <thead> <tr><th>A</th><th>B</th><th>F</th></tr> </thead> <tbody> <tr><td>0</td><td>0</td><td>0</td></tr> <tr><td>0</td><td>1</td><td>1</td></tr> <tr><td>1</td><td>0</td><td>1</td></tr> <tr><td>1</td><td>1</td><td>1</td></tr> </tbody> </table>	A	B	F	0	0	0	0	1	1	1	0	1	1	1	1	<p>74LS32</p> 	<p>$F=A+B$</p>
A	B	F																
0	0	0																
0	1	1																
1	0	1																
1	1	1																
<p>NOR</p> 	<table border="1" data-bbox="534 1066 622 1245"> <thead> <tr><th>A</th><th>B</th><th>F</th></tr> </thead> <tbody> <tr><td>0</td><td>0</td><td>1</td></tr> <tr><td>0</td><td>1</td><td>0</td></tr> <tr><td>1</td><td>0</td><td>0</td></tr> <tr><td>1</td><td>1</td><td>0</td></tr> </tbody> </table>	A	B	F	0	0	1	0	1	0	1	0	0	1	1	0	<p>74LS02</p> 	<p>$F=\overline{A+B}$ $=\overline{A} \cdot \overline{B}$</p>
A	B	F																
0	0	1																
0	1	0																
1	0	0																
1	1	0																
<p>XOR</p> 	<table border="1" data-bbox="534 1328 622 1507"> <thead> <tr><th>A</th><th>B</th><th>F</th></tr> </thead> <tbody> <tr><td>0</td><td>0</td><td>0</td></tr> <tr><td>0</td><td>1</td><td>1</td></tr> <tr><td>1</td><td>0</td><td>1</td></tr> <tr><td>1</td><td>1</td><td>0</td></tr> </tbody> </table>	A	B	F	0	0	0	0	1	1	1	0	1	1	1	0	<p>74LS86</p> 	<p>$F=A \oplus B$ $=\overline{A}B + A\overline{B}$</p>
A	B	F																
0	0	0																
0	1	1																
1	0	1																
1	1	0																
<p>NOT</p> 	<table border="1" data-bbox="534 1590 622 1724"> <thead> <tr><th>A</th><th>F</th></tr> </thead> <tbody> <tr><td>0</td><td>1</td></tr> <tr><td>1</td><td>0</td></tr> </tbody> </table>	A	F	0	1	1	0	<p>74LS04</p> 	<p>$F=\overline{A}$</p>									
A	F																	
0	1																	
1	0																	

Zdroj:

Facebook. Photo. [online]. Dostupné z:

<https://www.facebook.com/photo/?fbid=927186682758918&set=a.415581423919449> [cit. 6. října 2024].